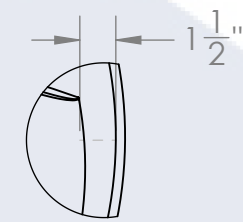
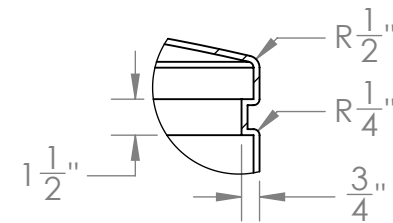


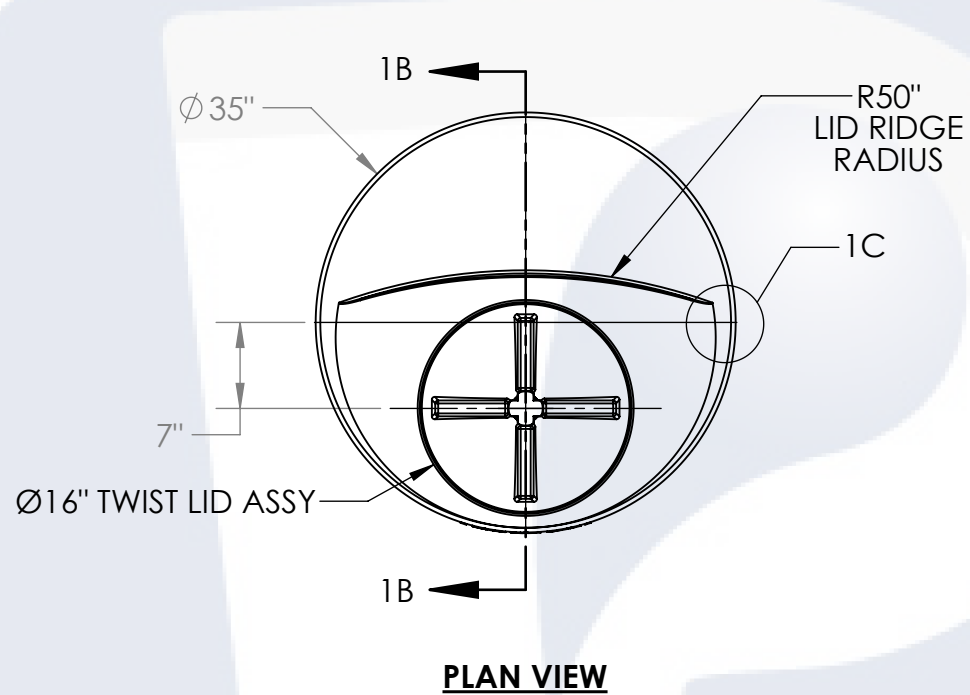
**ISOMETRIC VIEW
(FRONT)**



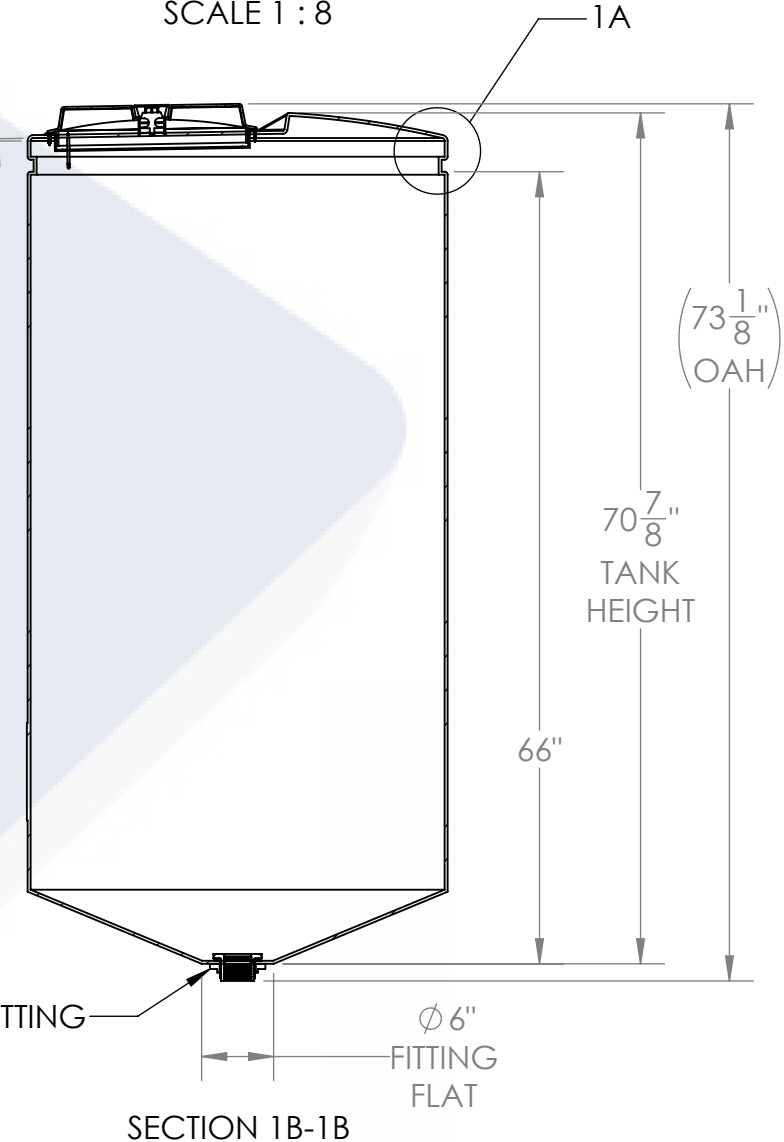
**DETAIL 1C
SCALE 1 : 8**



**DETAIL 1A
SCALE 1 : 8**



1°
LID ANGLE



- NOTES:**
1. CAPACITY: 250 GAL. NOMINAL
 2. TANK MATERIAL: XLPE
 3. SERVICE PRESSURE: ATMOSPHERIC
 4. NSF/ANSI STANDARD 61 CERTIFIED

PROPRIETARY AND CONFIDENTIAL
THE INFORMATION CONTAINED IN THIS DRAWING IS THE SOLE PROPERTY OF PEABODY ENGINEERING. ANY REPRODUCTION IN PART OR AS A WHOLE WITHOUT THE WRITTEN PERMISSION OF PEABODY ENGINEERING IS PROHIBITED.

UNLESS OTHERWISE SPECIFIED:		NAME	DATE	
DIMENSIONS ARE IN INCHES TOLERANCES: ±1/4" ANGULAR: ± .5° ONE PLACE DECIMAL: ± .25 TWO PLACE DECIMAL: ± .125 THREE PLACE DECIMAL: ± .063		SMF	03/01/23	
TANK MATERIAL:		PROJECT:	PROCHEM® TANKS	
INNER TANK S/N:		CUSTOMER:	PEABODY STANDARD	
OUTER TANK S/N:		SITE/LOCATION:	-	
CUSTOMER PO#		SALES ORDER:	-	
DO NOT SCALE DRAWING		SIZE	DESC.	REV.
		B	250GAL CONE BOTTOM TANK	B
		SCALE: 1:16	SHEET 1 OF 1	